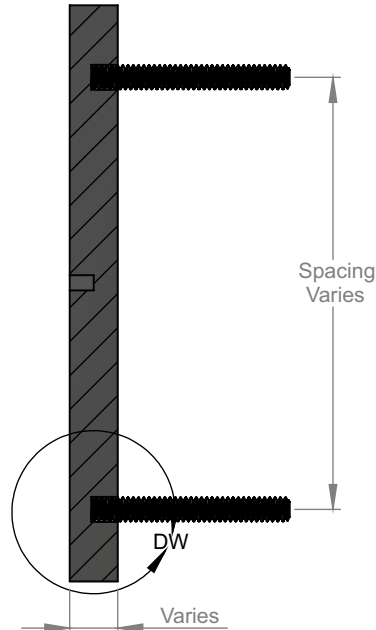
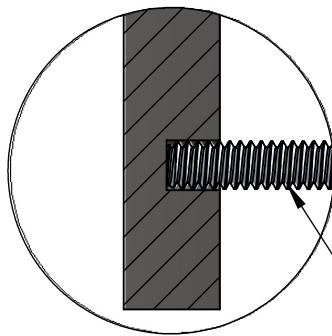


FRONT VIEW II SCALE 1:1

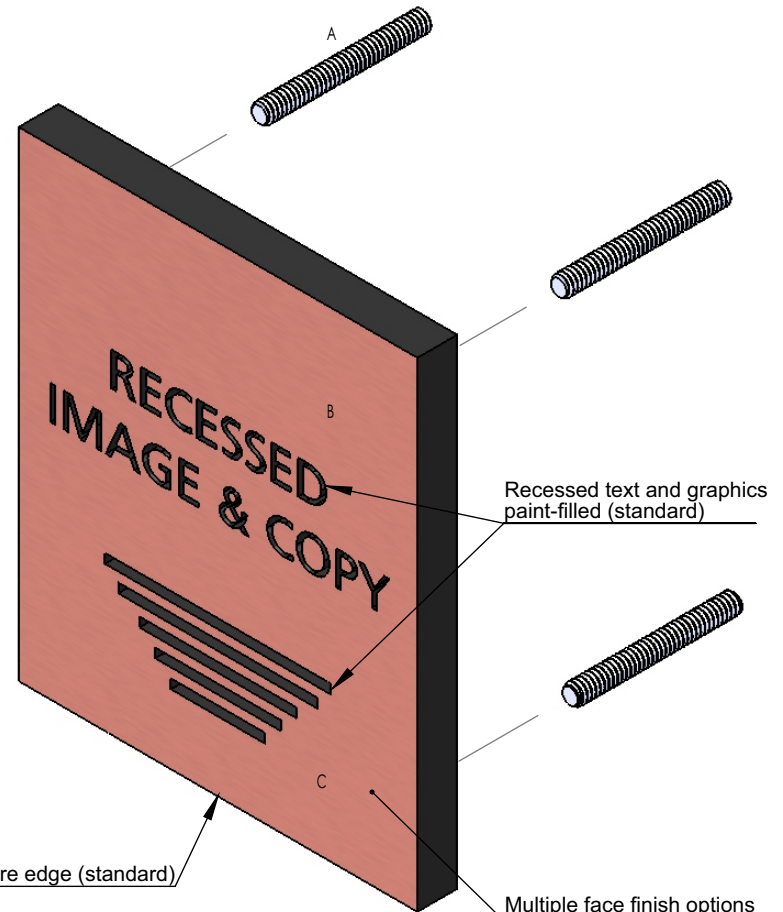


SECTION VIEW A-A II SCALE 1:1



Blind stud (standard) -  
With 1/4" thick plaques

DETAIL DW II SCALE 1:1



ISOMETRIC BACK VIEW II SCALE 1:0.85

Notes:  
 Optional: 41° Bevel edge (not available on 1/16" thick)  
 1/16", 1/8", 3/16", 1/4", Thick options in stainless steel, bronze, brass, copper  
 Raised or recessed image & copy available -  
 Max single piece 36"x72" (copper 40"x60")

TITLE: <b>ETCHED PLAQUE - STUD MOUNT</b>			
MATERIAL: <b>METAL</b>		PRODUCT TYPE: <b>METAL PLAQUES</b>	
DWG NO. ETCH10	REV 02/17/15	SCALE: AS INDICATED	SHEET 1 OF 1